

# Product data sheet

## Characteristics

# 9070T1000D31

Transformer, Type T, industrial control, 1000 VA,  
240/480 VAC primary / 120/240 VAC secondary, 1  
phase, 50/60 Hz, 115 °C



Product availability: Stock - Normally stocked in distribution facility

Price\*: 837.00 USD



### Main

|                           |                                |
|---------------------------|--------------------------------|
| Product or component type | Industrial Control Transformer |
| Rated power in VA         | 1000 VA                        |
| Range of product          | T                              |

### Complementary

|                       |  |
|-----------------------|--|
| Phase                 | 1 phase  |
| Rated power in VA     | 1000 VA UL<br>1000 VA CSA<br>1000 VA NOM<br>630 VA |
| Temperature rise      | 115 °C   |
| Electrical connection | Screw clamp terminals                              |
| Height                | 4.51 In (114.55 mm)                                |
| Width                 | 5.25 In (133.35 mm)                                |
| Depth                 | 6.3 In (160.02 mm)                                 |
| Material              | Copper winding                                     |
| Product compatibility | FSC2   |

### Environment

|                           |  |
|---------------------------|--|
| Product certifications    | UL listed file E61239<br>CSA file LR37055 guide 184-N-90 |
| NEMA degree of protection | Not rated (open device)                                  |
| Insulation temperature    | 356 °F (180 °C)  |

## Ordering and shipping details

|                       |                                    |
|-----------------------|------------------------------------|
| Category              | 16201 - 9070 T (NOT TF) 250-2000VA |
| Discount Schedule     | CP8                                |
| GTIN                  | 00785901845607                     |
| Nbr. of units in pkg. | 1                                  |
| Package weight(Lbs)   | 21.74 Lb(US) (9.861 kg)            |
| Returnability         | Yes                                |
| Country of origin     | MX                                 |

## Packing Units

|                        |                     |
|------------------------|---------------------|
| Unit Type of Package 1 | PCE                 |
| Package 1 Height       | 7.00 In (17.78 cm)  |
| Package 1 width        | 8.30 In (21.082 cm) |
| Package 1 Length       | 8.70 In (22.098 cm) |

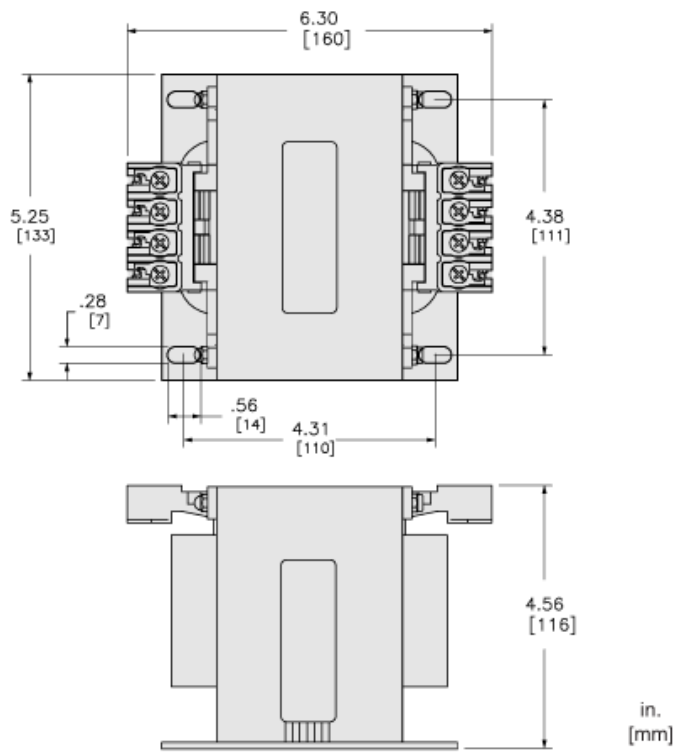
## Offer Sustainability

|                            |   |
|----------------------------|---|
| Sustainable offer status   | Green Premium product   |
| California proposition 65  | WARNING: This product can expose you to chemicals including: Phenyl glycidyl ether, which is known to the State of California to cause cancer and birth defects or other reproductive harm. For more information go to <a href="http://www.P65Warnings.ca.gov">www.P65Warnings.ca.gov</a> |
| REACH Regulation           | <a href="#">REACH Declaration</a>   |
| EU RoHS Directive          | Compliant <a href="#">EU RoHS Declaration</a>   |
| Mercury free               | Yes   |
| RoHS exemption information | <a href="#">Yes</a>   |
| China RoHS Regulation      | <a href="#">China RoHS Declaration</a>  |
| Environmental Disclosure   | <a href="#">Product Environmental Profile</a>   |
| PVC free                   | Yes   |

## Contractual warranty

|          |          |
|----------|----------|
| Warranty | 10 Years |
|----------|----------|

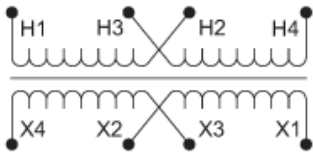
Approximate Dimensions



Connections and Wiring Diagrams

Voltage and Connection Options

| Voltage Code | Voltages                            |                                     | Connections   |   |
|--------------|-------------------------------------|-------------------------------------|---|---|
|              | Primary                             | Secondary                           | Primary   | Secondary   |
| D31          | 220 x 440<br>230 x 460<br>240 x 480 | 110/220<br>115/230<br>120/240       | 220 or 230 or 240:<br>Connect to H1 and H4<br>Jumper H1 with H3<br>Jumper H2 with H4<br>440 or 460 or 480:<br>Connect to H1 and H4<br>Jumper H2 with H3 | 110 or 115 or 120:<br>Connect to X1 and X4<br>Jumper X1 with X3<br>Jumper X2 with X4<br>220 or 230 or 240:<br>Connect to X1 and X4<br>Jumper X2 with X3 |
| D55          | 110 x 220<br>115 x 230<br>120 x 240 | 110 x 220<br>115 x 230<br>120 x 240 | 110 or 115 or 120:<br>Connect to H1 and H4<br>Jumper H1 with H3<br>Jumper H2 with H4<br>220 or 230 or 240:<br>Connect to H1 and H4<br>Jumper H2 with H3 | 110 or 115 or 120:<br>Connect to X1 and X4<br>Jumper X1 with X3<br>Jumper X2 with X4<br>220 or 230 or 240:<br>Connect to X1 and X4<br>Jumper X2 with X3 |



Product Life Status : **Commercialised**